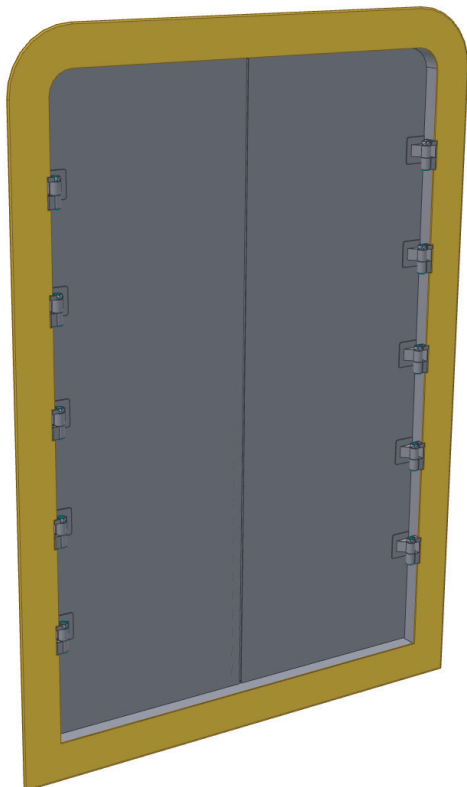


# Offshore Door

OFFSHORE DOOR TYPE:  
**AW-SP-40**



Approved by:  
Det Norske Veritas



## Technical data:

Height: max 10 meter

Wide: max 6 meter

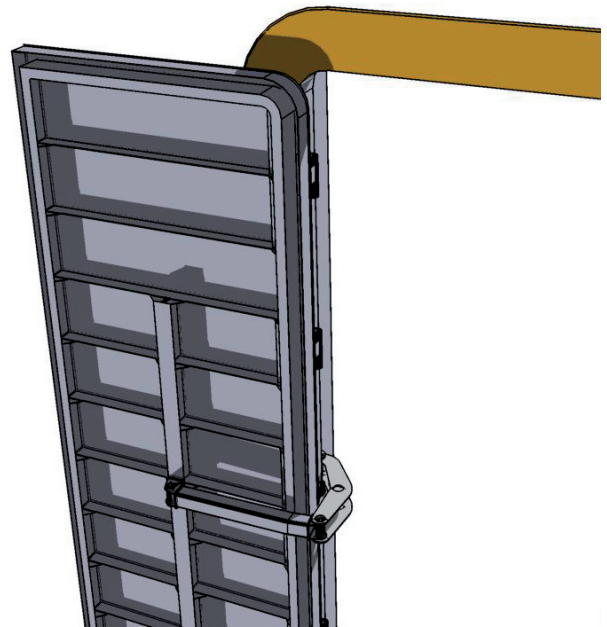
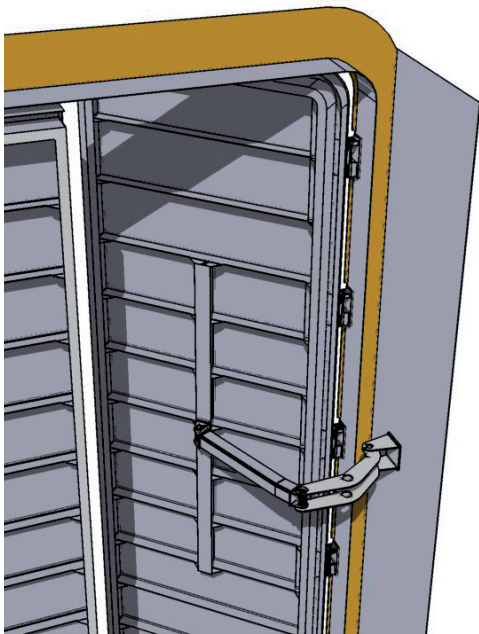
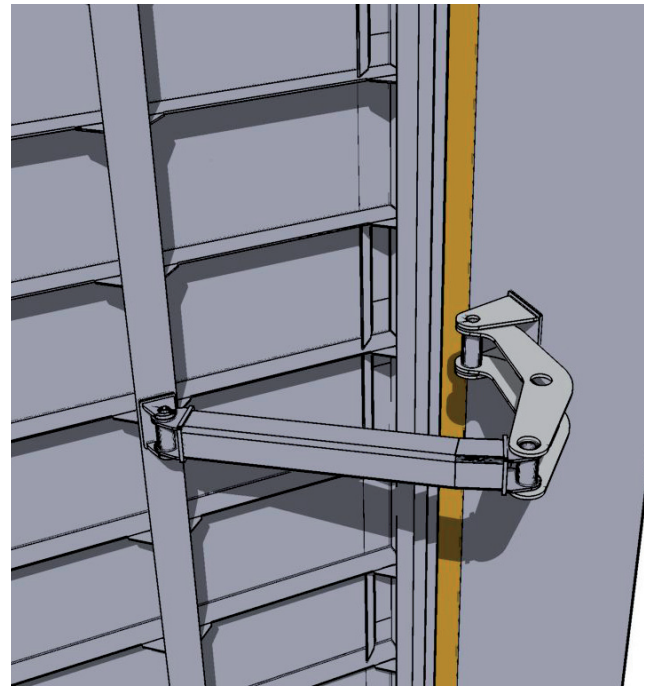
Hydraulic operated doors and locking.

Hydraulic power pack 690 Volt 60 Hz or  
400 Volt 60 Hz.

Maritime cranes & Davit's - service & maintenance



**AUKRA**  
**MARITIME AS**



Maritime cranes & Davit's - service & maintenance



[www.aukramaritime.no](http://www.aukramaritime.no)

Nautnes, 6480 Aukra, Norway

Phone: +47 71 17 32 00

Fax: +47 71 17 49 32

e-mail: [pera@aukramaritime.no](mailto:pera@aukramaritime.no)